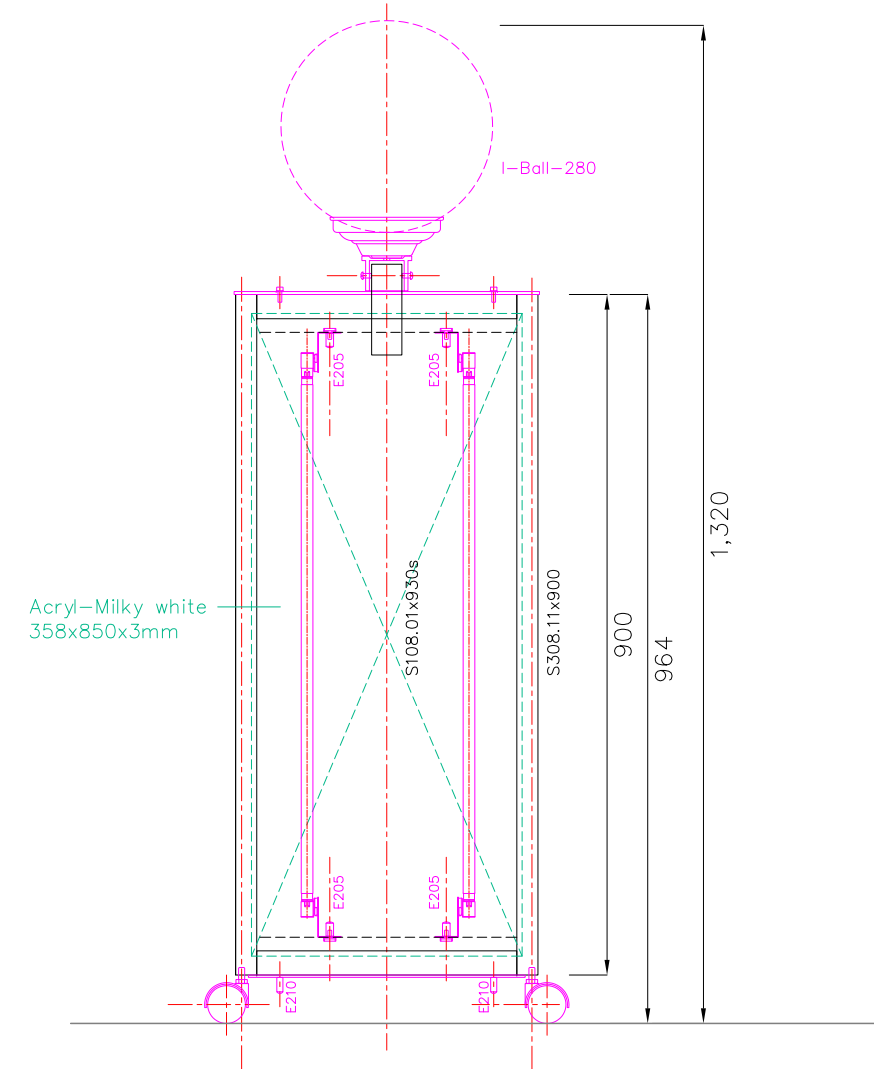
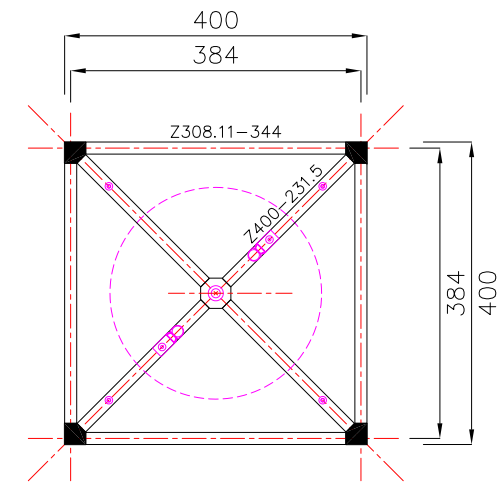
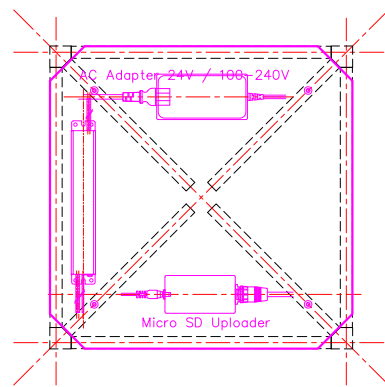
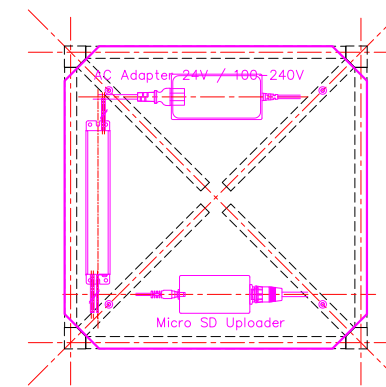
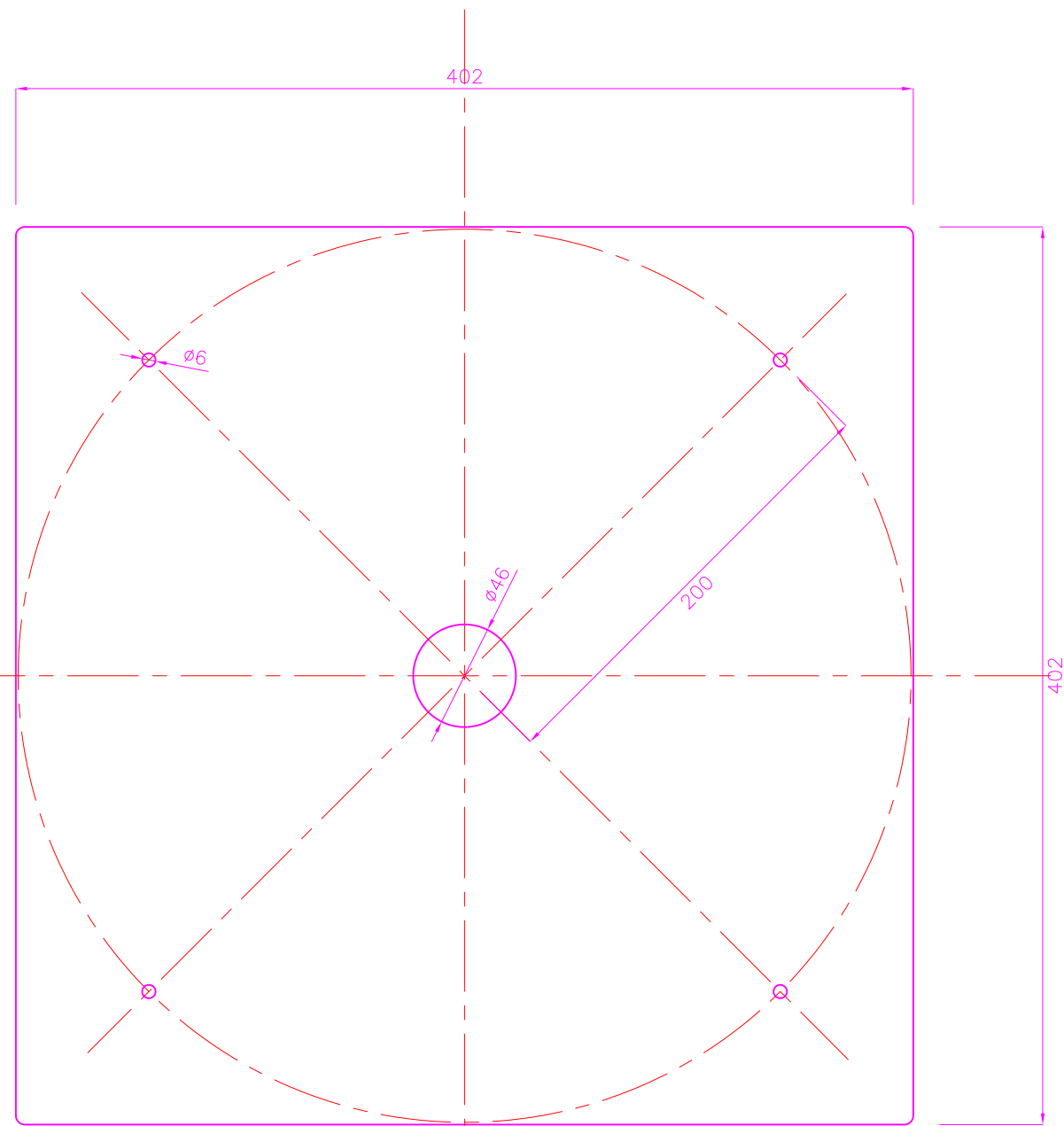


TYPE 1 - 1120mm(h)

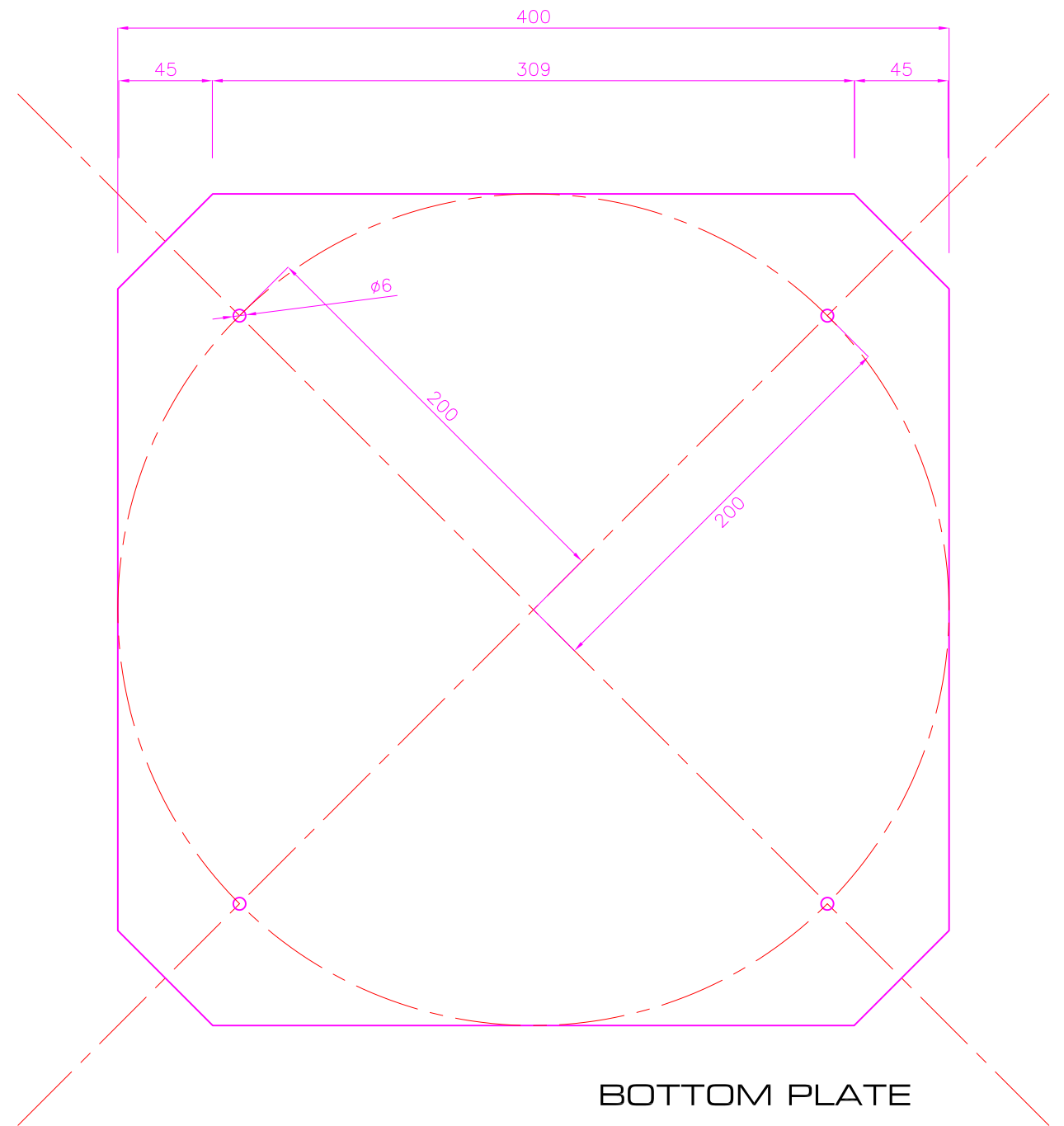


TYPE 1 - 1320mm(h)

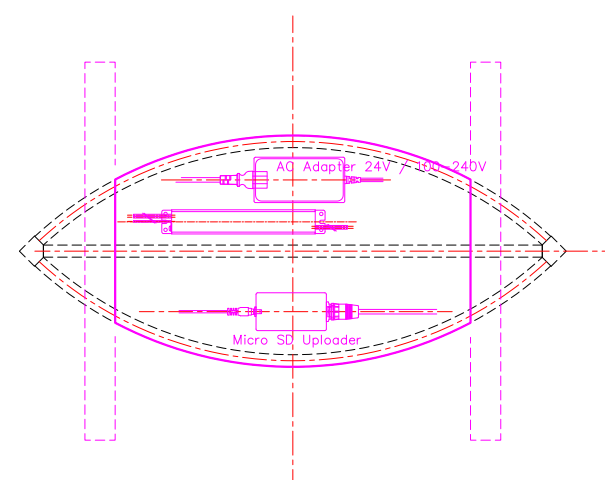
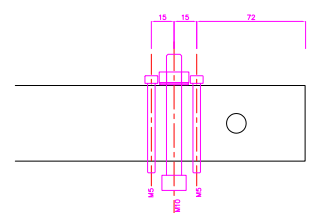
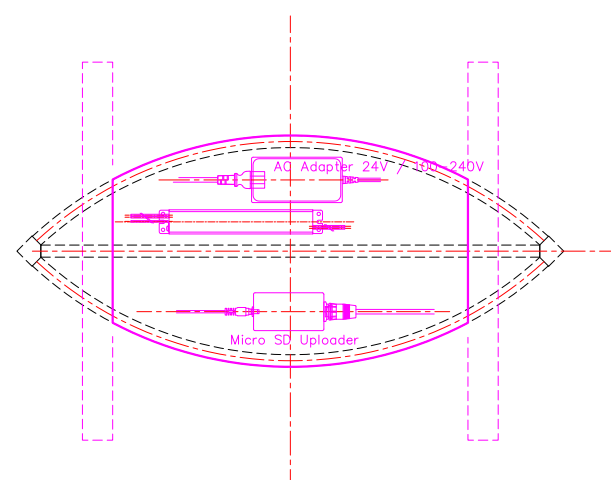
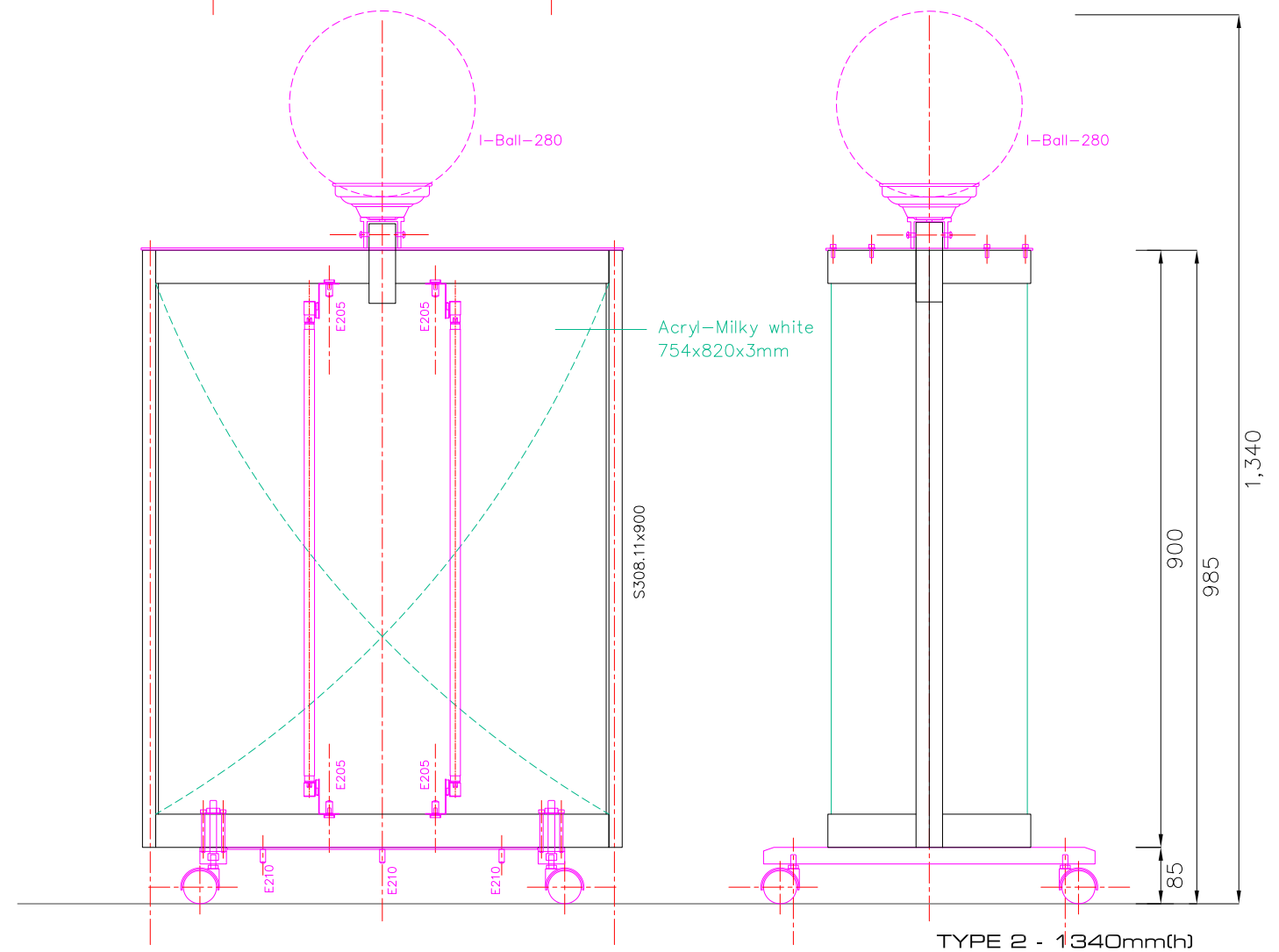
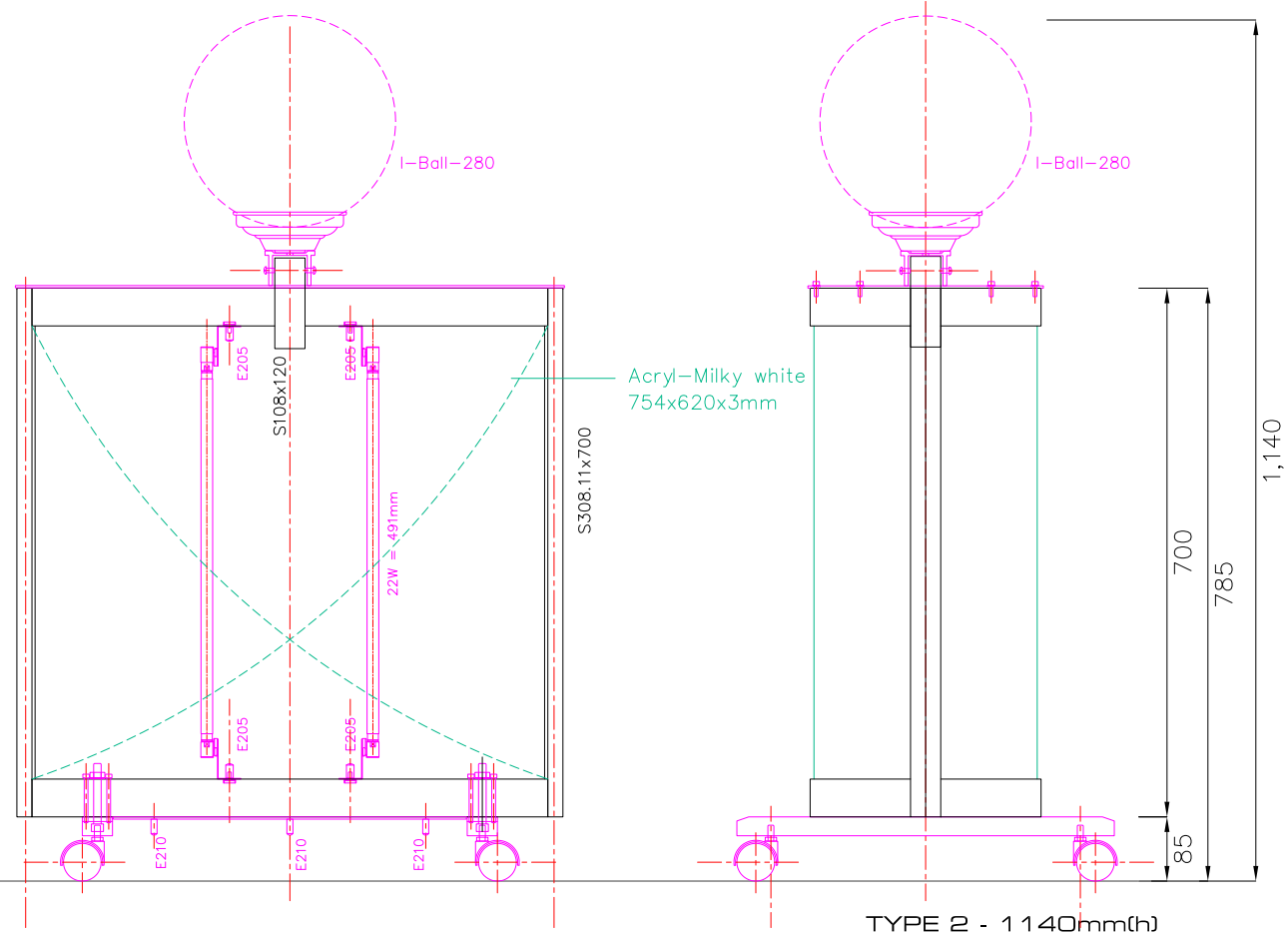
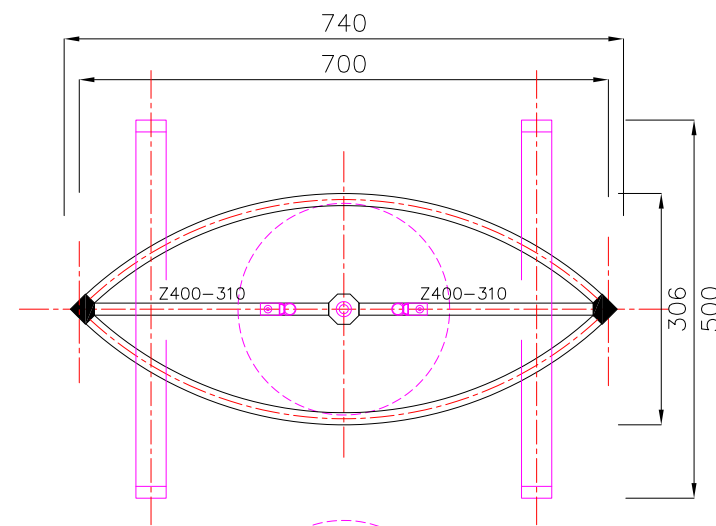
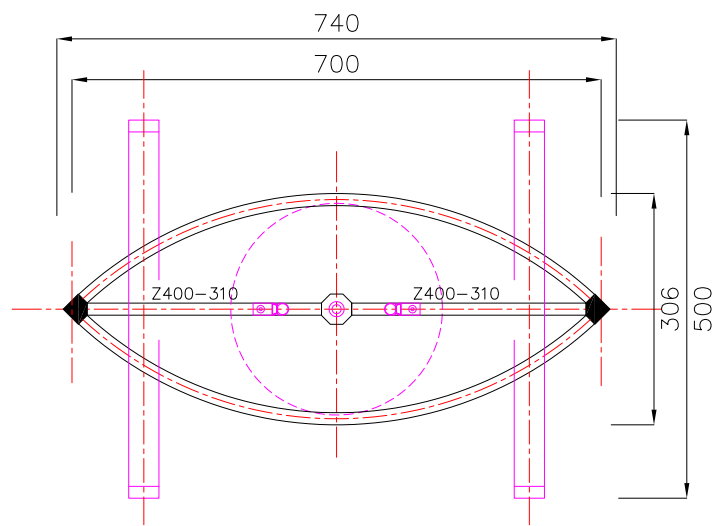


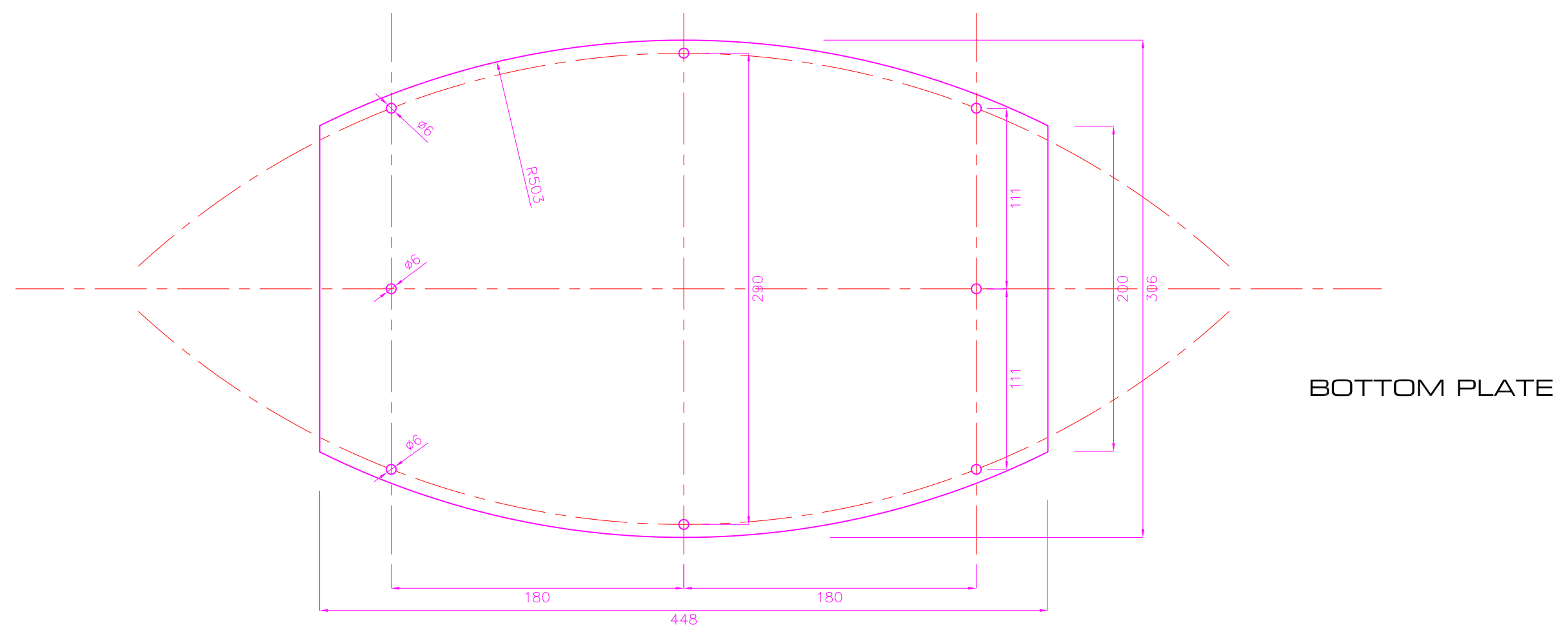
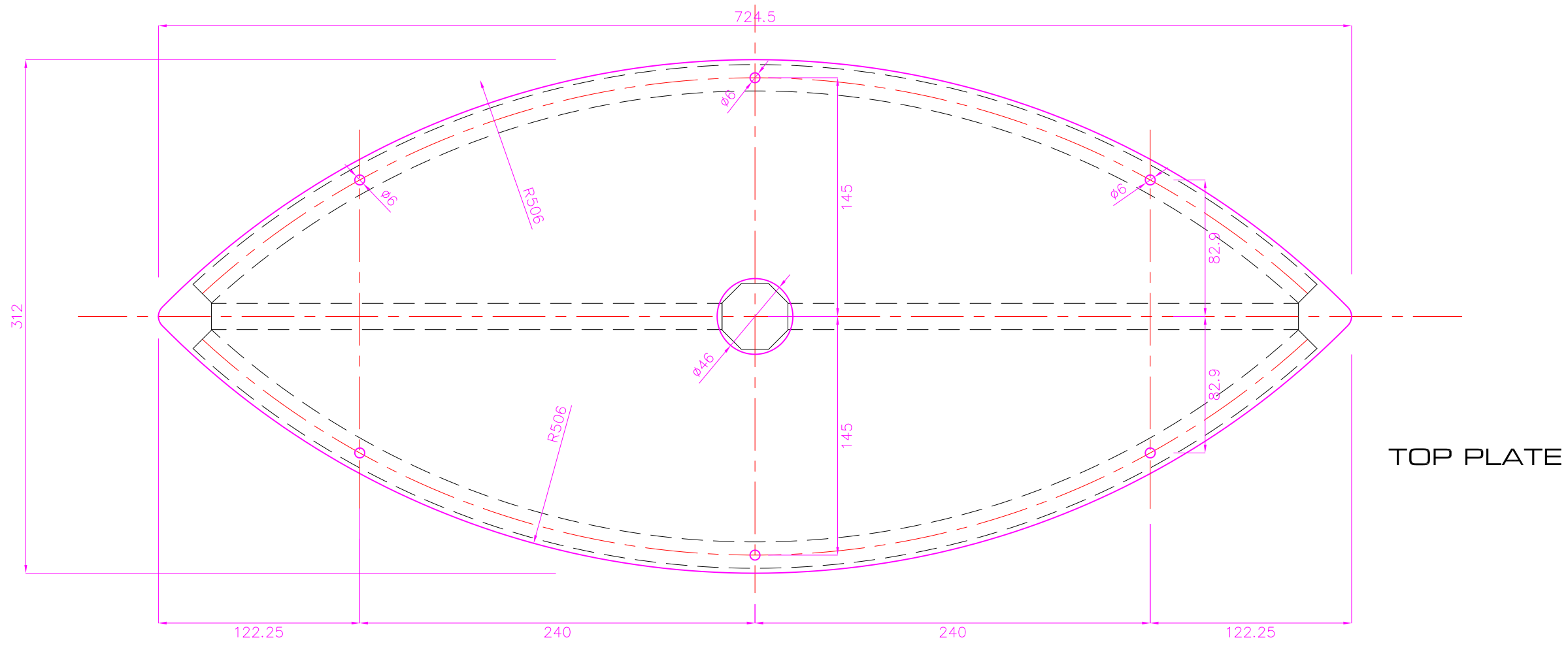


TOP PLATE

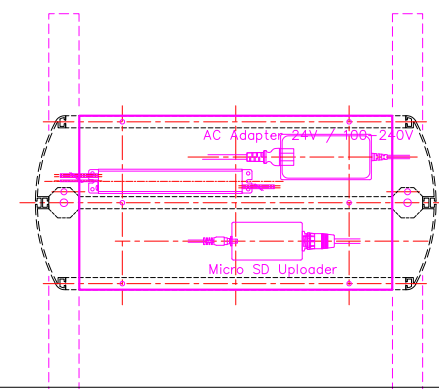
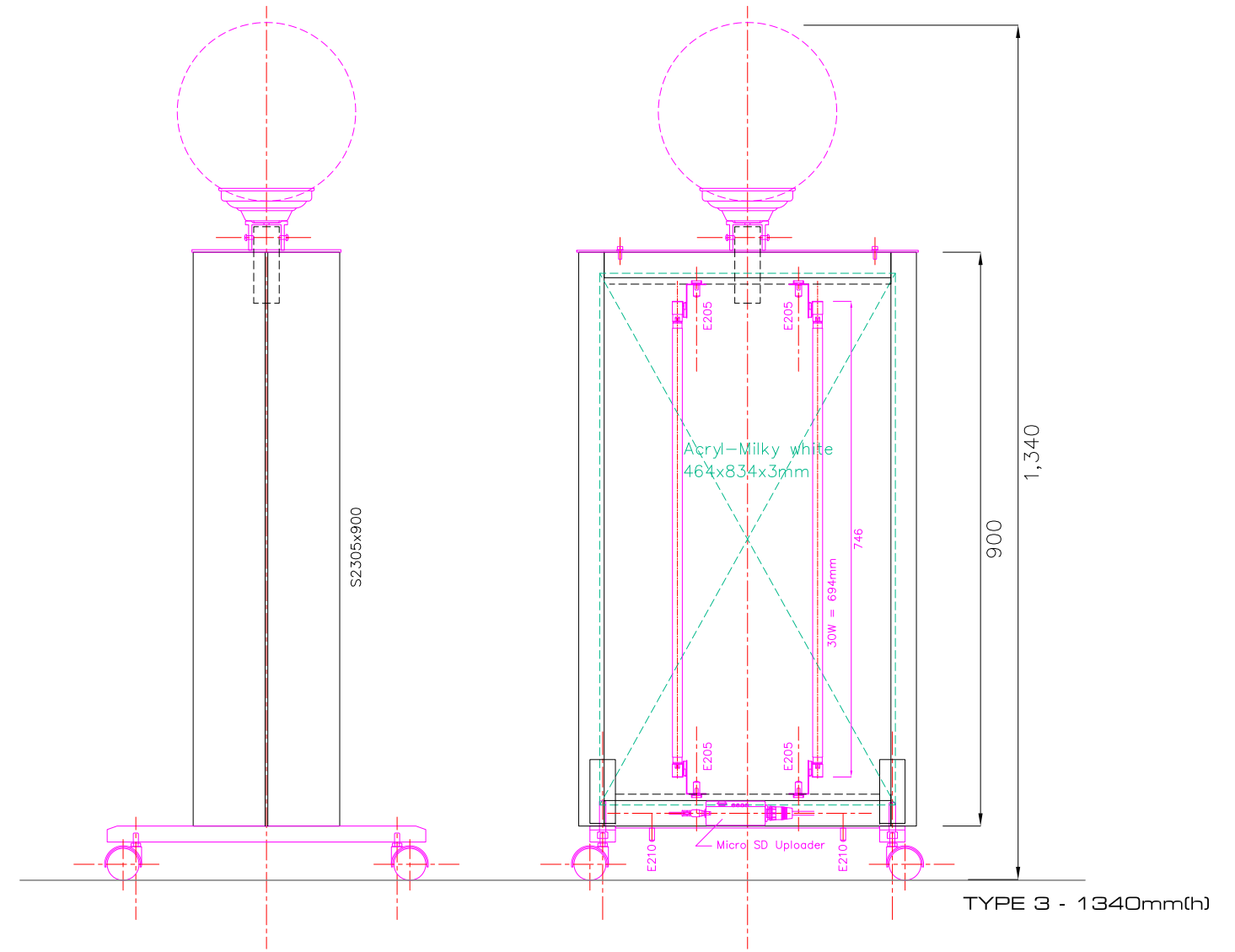
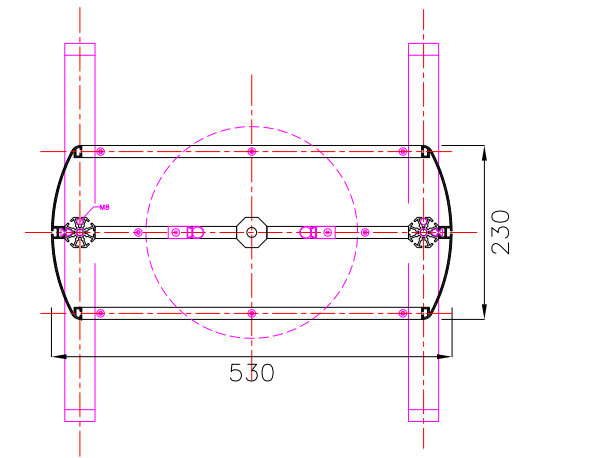
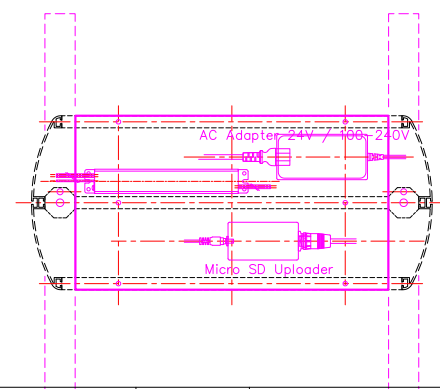
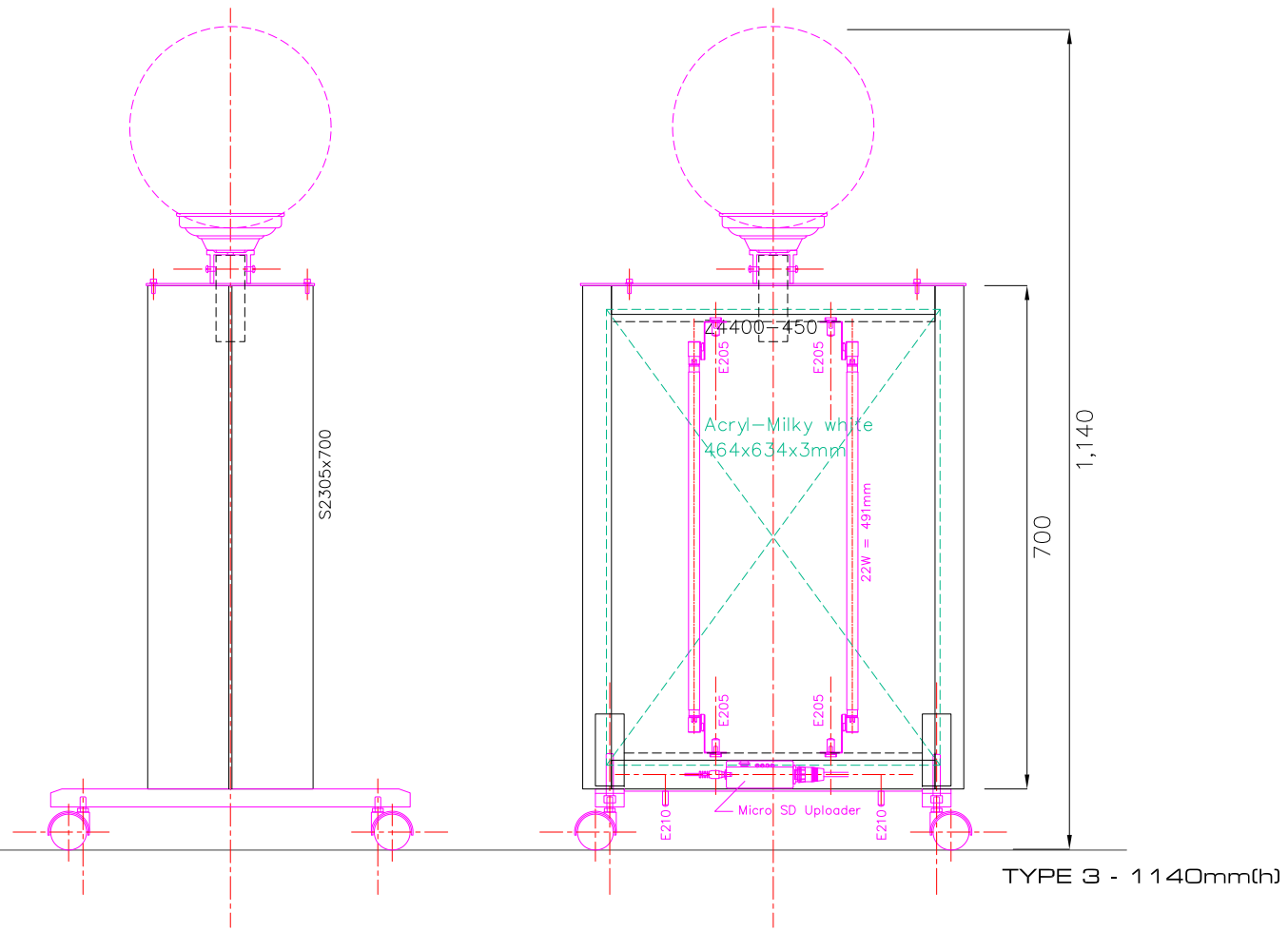
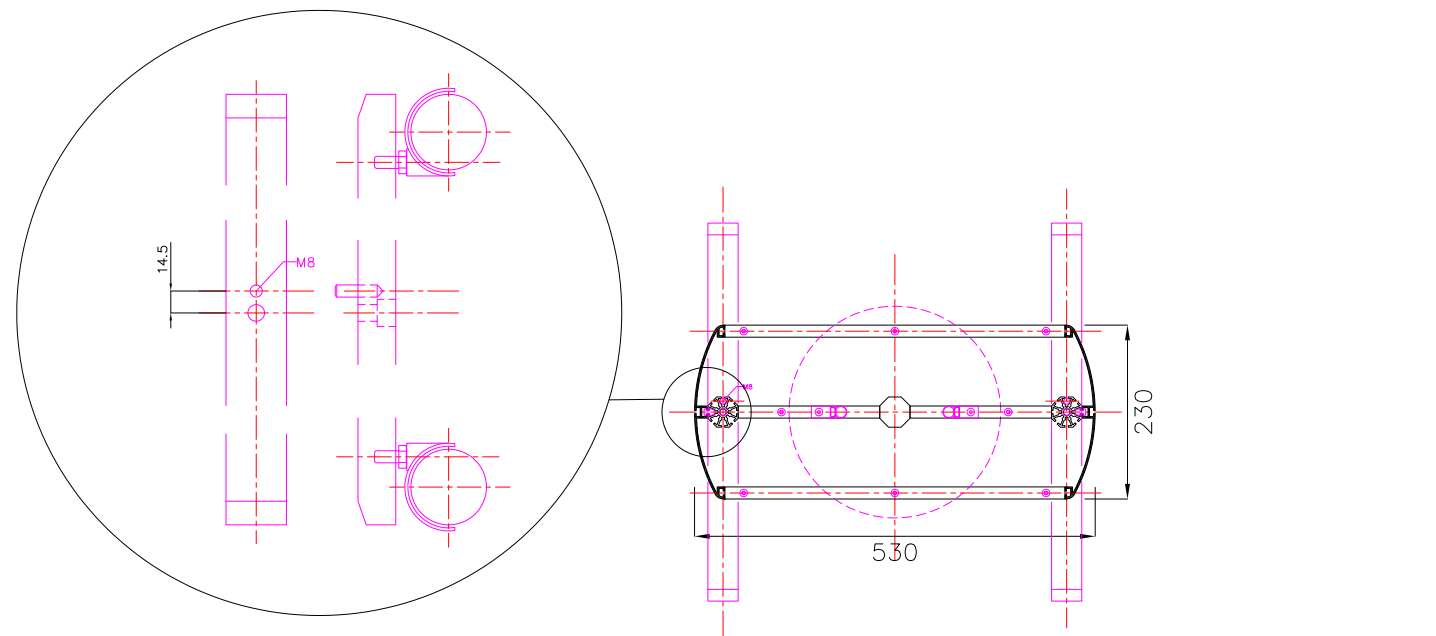


BOTTOM PLATE

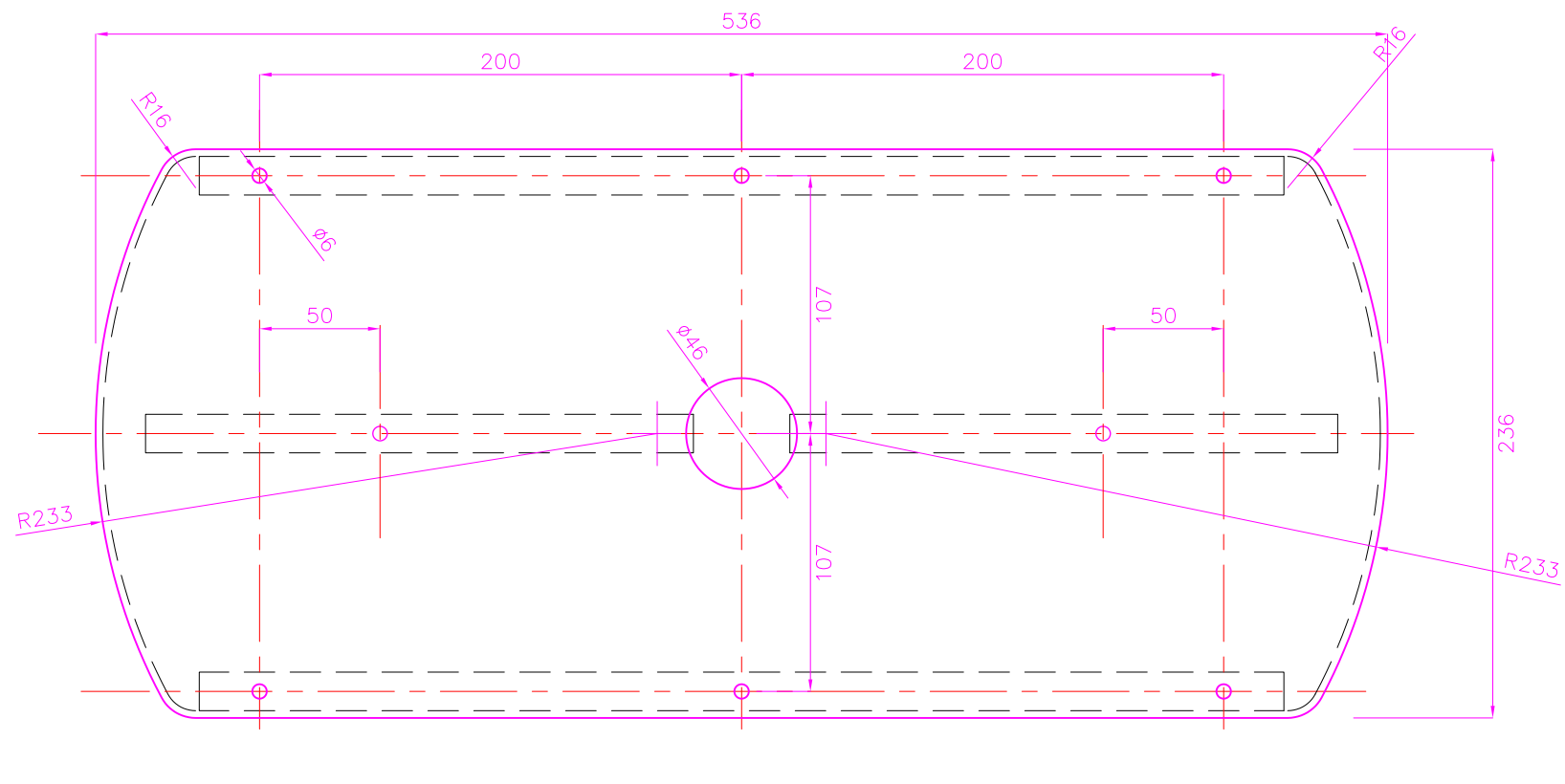




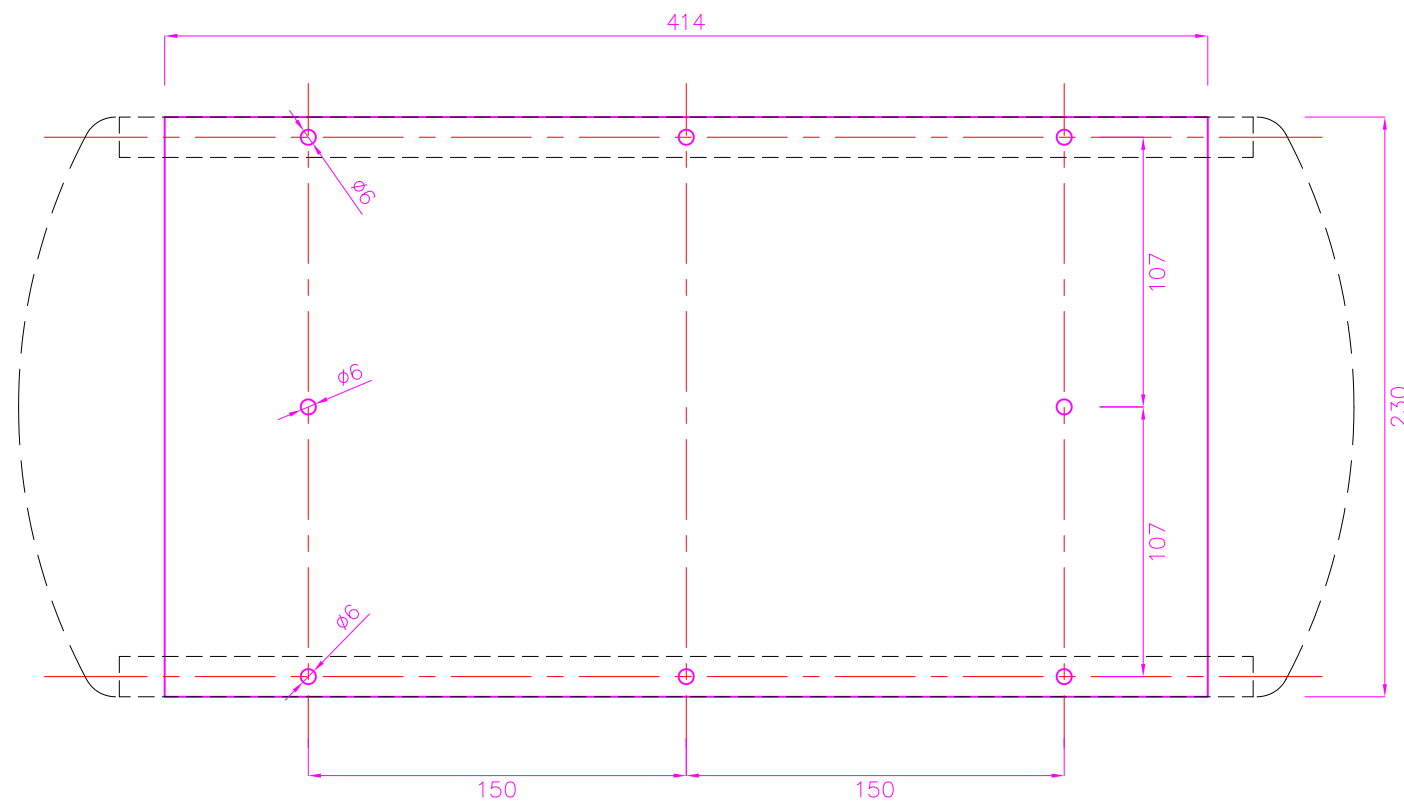
		No.	SCALE 1/3	DATE 2009.04.10	PROJECT NAME TYPE 2	DRAWING No.
	DATE	REVISION	NOTES	FILE NAME	DRAWN	



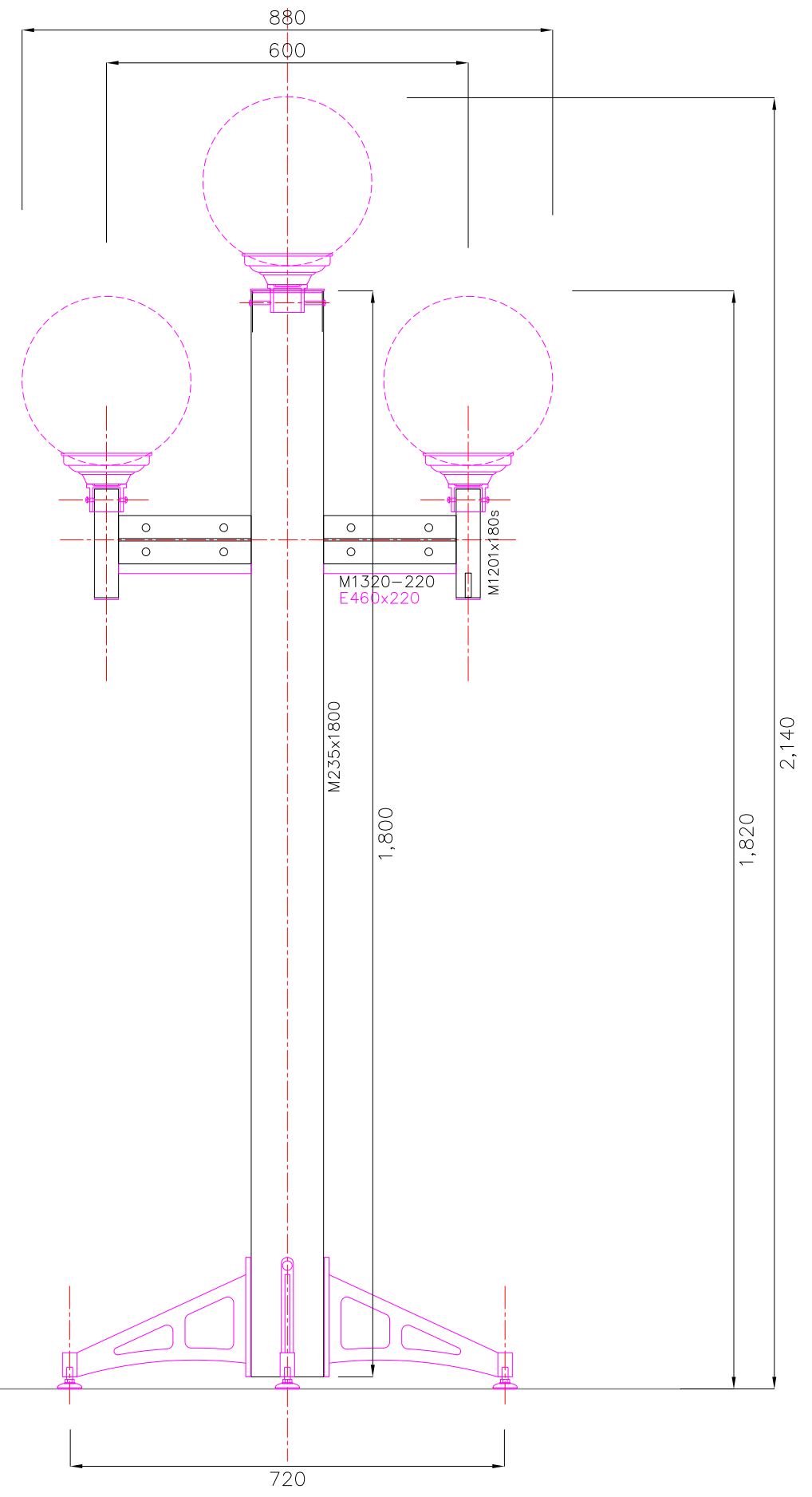
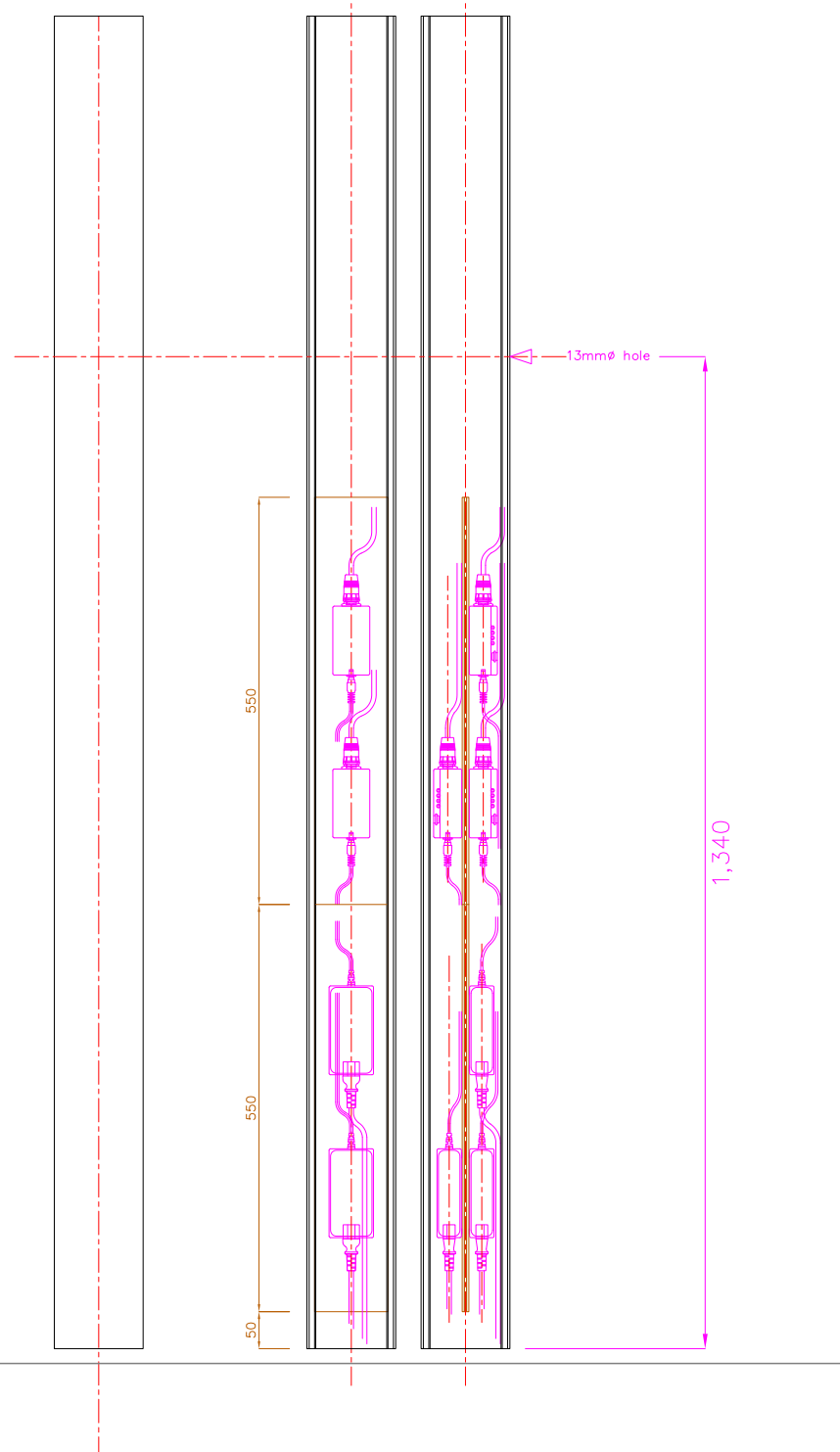
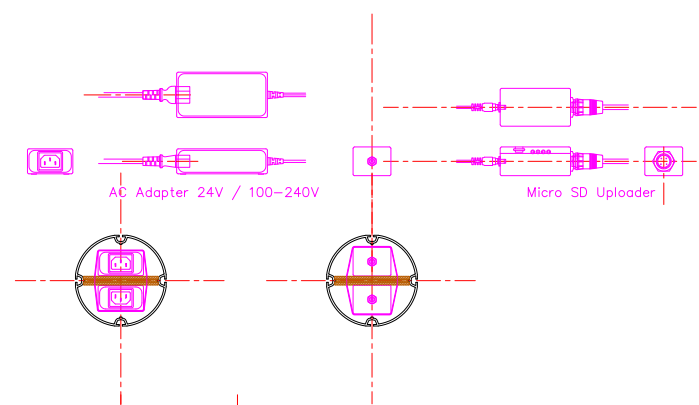




TOP PLATE



BOTTOM PLATE



No.	SCALE 1/10	DATE 2009.04.03	PROJECT NAME TYPE 4 - 2150mm(h)	DRAWING No.
NOTES	FILE NAME	DRAWN	DRAWING TITLE Lamp Post Type	
DATE	REVISION			

